



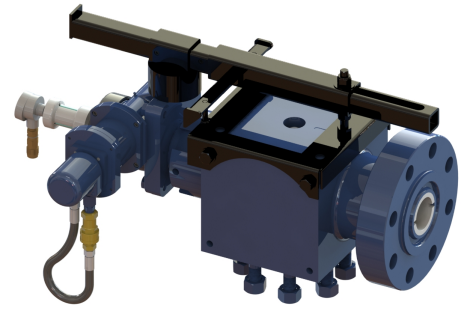
Power Chokes®

MultiChoke

For more than 25 years, Power Chokes® has been the industry standard for severe service drilling, flowback, well test, production applications, and Managed Pressure Drilling (MPD).

That standard for innovation, reliability, and unsurpassed quality is embodied by our complete and fully automated performance drilling technologies that safely and effectively manage influx in the most pressure-intensive applications, from closed-loop underbalanced to pressurized mud cap drilling.

Power Chokes® chokes come in various sizes for different applications and pressure requirements. We also provide expert engineering support for specific choke applications.



Pressure Balanced Trim

Trim is pressure balanced to reduce operating forces, whether the choke is operated manually or automatically. Large balance ports protect clogging.

Reversible Trim

Gate and seat may be reversed in the field should wear occur in service, providing double trim life.

Actuator

Chokes are available with the exclusively modified worm gear actuator in hydraulic, piston, electric, or manual options and manual override on all worm gears. Likewise, electric chokes that can be powered by solar panels in remote locations with control systems capable of monitoring and controlling remotely are also available for purchase.

Seat Leakage

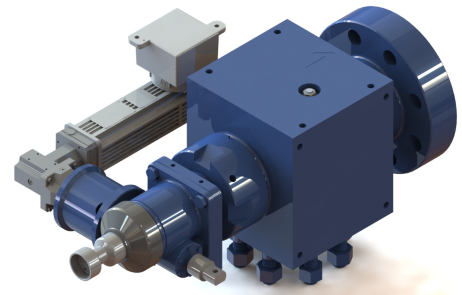
Each choke is seat-tested before shipment to achieve drop tight sealing per Application Programme Interface (API) 16C testing requirements. This exceeds ANSI B16.104 Class V (FCI 70-2) leakage requirements without the use of O-rings or other soft-sealing elements in the gate-to-seat seal design.

Support

Power Chokes® has an international presence and can recertify its products in various continents. We also offer in-field services with qualified technicians providing maintenance, support and training.

Controls Packages

Power Chokes® can package choke solutions from single choke solar panel solutions to automated MPD and flowback solutions with remote capabilities.



Power Chokes®



MultiChoke

TECHNICAL SPECIFICATIONS

	Model SCB	Model SCD	Model SCC	Model SCF
Inlet sizes available	3" to 5" Studded and flanged	2 9/16" studded	1", 2", 2" fig 1502	2 1/16" x 3 1/16" studded or flanged
Outlet sizes available	3" to 5" flanged	3 1/16" flanged	1", 2", 2" fig 1502	2 1/16" x 3 1/16" flanged
Trim sizes available	1" 1 1/2" 2", 3", 4"	1 1/2" 2"	1"	1 1/2" 2"
Trim sizes available	5,000, 10,000, 15,000	20,000	5,000, 10,000, 15,000	5,000, 10,000
Application Program Interface (API) temperature class	-20° to 350°F (-29° to 177°C)	-20° to 350°F (-29° to 177°C)	-20° to 350° F (-29° to 177° C)	-20° to 350° F (-29° to 177° C)
Application Program Interface (API) API material class	Up to EE-NL	Up to EE-NL	EE-NL	Up to EE-NL
Application Program Interface (API) API PSL levels	1-3, 3G	1-3, 3G	1-3, 3G	1-3, 3G
Application Program Interface (API) API PR levels	1-2	1	1	1-2
Actuation	Positive, Hydraulic, manual, electric	Positive, Hydraulic, manual, electric	Positive, Hydraulic, manual, electric	Positive, Hydraulic, manual, electric
Trim material	Solid tungsten carbide	Solid tungsten carbide	Solid tungsten carbide	Solid tungsten carbide
Standard X & Y dimension	5 5/8" x 13"	6.53" x 13"	9 1/3" x 7 3/8"	10 3/8" x 11 3/4"

For further questions or quotation requests, contact PowerChokes-Sales@adsmpd.com.

Visit www.powerchokes.co for chokes, controls, and PRV solutions and www.adsmpd.com for RCDs and MPD solutions.

