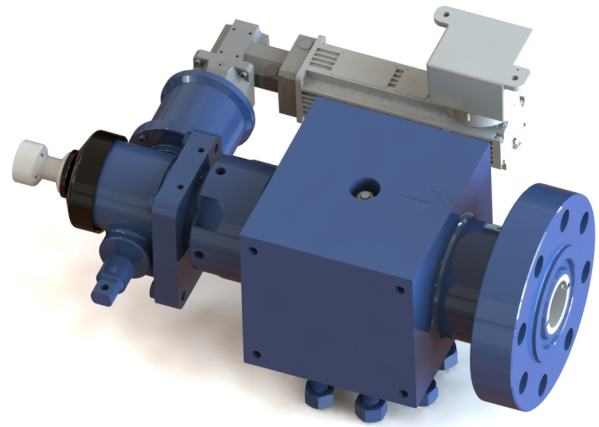


Power Chokes®

Model SCF Well Test / Drilling Choke

The Model SCF is a forged body, well test/drilling choke for service, available as an adjustable or a positive model.

FEATURES



severe



Adjustable Choke

- Worm gear drive actuator – eliminates backlash and provides precise control; self-locking to prevent movement even if hydraulic pressure is lost
- Quick change actuator – no need to disconnect hoses for removal. Trim can be changed in 15 minutes or less without removing the choke from the line or breaking into the manifold
- Accommodates 1 ½" or 2" trim size
- Manual override capability - provided on all worm gear-operated hydraulic chokes in case of power loss
- Other types of actuator available – in addition to the exclusively modified worm gear actuator, our chokes are available with hydraulic piston, positive, electric, or manual actuators
- Reversible gate and seat assembly – provides a minimum of two uses per piece, saving parts, reducing operating costs, and maximizing efficiency. Can be reversed in the field
- Solid tungsten carbide gate and seat – proven design provides maximum erosion resistance. Gate and seat are precision-ground to provide drop tight shut off

Positive Choke

- Quick change bean – bonnet easily removable. Service tools available to remove bean and bean carrier quickly for inspection or replacement
- Numerous bean sizes – accepts 1" (64/64ths) maximum orifice H2-style or OCT-style bean, or a 2" solid tungsten carbide bean seat (128/64ths)

All Chokes

- Pressure balanced trim – reduces operating forces, whether the choke is operated manually or automatically. Large balance ports protect clogging
- Downstream wear sleeve and retainer ring – extended-length solid tungsten carbide seat provides wear protection downstream and a smooth transition for fluid into the downstream piping
- Large buffer cavity – slows velocity and distributes the impact of solids, maximizing trim life and reducing the wear of downstream components.

Patented Actuator Manipulator Option

- Allows one-man, in-line servicing of chokes
- No lifting device required
- 15-minute service time

Control Consoles

- Offer operation for one, two, or more chokes and/or hydraulic control valves
- Speed adjusts to allow fast or slow choke movement
- One or two hydraulic pumps plus manual backup hydraulic pump
- Bourdon tube hydraulic pressure gauges or digital pressures gauges available
- Digital position indicator gauge standard
- Accumulators available for power backup or to smooth choke operation
- Electric actuation controls and automation

Both Adjustable and Positive Chokes supplied with:

- Bleeder port to bleed pressure from choke body before choke bonnet removal for inspection or maintenance
- Flanged inlet X flanged outlet standard. Flanged inlets available
- 3" x 3" inlet and outlet with easily modified X and Y dimensions to fit any manifold
- Other inlet and outlet sizes available

Power Chokes®

Model SCF Well Test / Drilling Choke

Standard configuration

(Reversible, balanced, erosion-resistant trim)



Pressure ratings available	Application Programme Interface (API) 5,000, 10,000 psi	
Inlet size range	3 1/16"	
Outlet size range	3 1/16"	
Trim sizes available	1.1/2", 2"	
Testing	API 6A, API 16C	
Body material	API 75K, NACE MR01-75	
Throttling trim material	Tungsten carbide	
Seat material	Tungsten carbide	
Seat leakage	Drop tight	
API temperature ranges	Standard	-20°F to +250°F (-29°C to +121°C)
	Optional	-75°F to +350°F (-60°C to +177°C)
API 6A PSL	1 - 3, 3G	
API 6A PR	1 - 2	
Standard X & Y	10.375" x 11.750"	

General design specifications

Open for controllability (maximum)	85%
Open for controllability (minimum)	2%
Exit velocity (maximum)	1.0 Mach
Downstream velocity (gas) (maximum)	0.3 Mach
Downstream velocity (liquid) (maximum)	100 - 200 ft/sec
Hydraulic operating pressure	1,500 psi
Seat leakage	Drop tight (Exceeds ANSI class V)
Throttling pressure drop	Full rated pressure

For further questions or quotation requests, contact PowerChokes-Sales@adsmpd.com.

Visit www.powerchokes.co for chokes, controls, and PRV solutions and www.adsmpd.com for RCDs and MPD solutions.

